

SPECIFICATIONS

HX140A L

Powered By Cummins Performance Series Engine



HYUNDAI CONSTRUCTION EQUIPMENT

Net Power
131 HP (98 kW)
/ 2,200 rpm

Standard Bucket
.61 m³ / .80 yd³

Operating Weight
33,580 lbs (15,230 kg)

OPERATING WEIGHT (APPROXIMATE)

Operating weight, including 4.6 m (15' 1") boom, 3 m (9' 10") arm, SAE heaped 0.61 m³ (0.80 yd³) bucket, lubricant, coolant, full fuel tank, full hydraulic tank, and all standard equipment.

OPERATING WEIGHT

Shoes		Operating Weight		Ground Pressure
Type	Width mm(in)	kg (lb)		kgf / cm2 (psi)
	500 (20")	HX140A L	14,200 (31,310)	0.44 (6.23)
		HX140A L Dozer	15,015 (33,100)	0.46 (6.59)
Triple grouser	600 (24")	HX140A L	14,405 (31,760)	0.37 (5.26)
		HX140A L Dozer	15,230 (33,580)	0.39 (5.56)
	700 (28")	HX140A L	14,625 (32,240)	0.32 (4.58)
		HX140A L Dozer	15,460 (34,080)	0.34 (4.84)

SWING SYSTEM

Swing motor	Fixed displacement axial piston motor
Swing reduction	Planetary gear reduction
Swing bearing lubrication	Grease-bathed
Swing brake	Multi wet disc
Swing speed	11.4 rpm

COOLANT & LUBRICANT CAPACITY

	US gal	liter
Fuel tank	71.3	270
Engine coolant	5.5	21
Engine oil	3.2	12
Swing device	0.9	3.5
Final drive (Each)	0.6	2.3
Hydraulic system (Including Tank)	55.5	210
Hydraulic tank	31.7	120
Def/Adblue®	9.2	35

UNDERCARRIAGE

The X-leg type center frame is integrally welded with reinforced box-section track frames. The undercarriage includes lubricated rollers, idlers, track adjusters with shock absorbing springs and sprockets, and a track chain with double or triple grouser shoes.

Center frame	X-Leg Type
Track frame	Pentagonal Box Type
No. of Shoes on each side	46
No. of Carrier roller	2 x 1
No. of Track roller	2 x 7
No. of Rail guard	2 x 1

CAB NOISE LEVEL

Guaranteed noise level presented below can be differed depending on a range of factors such as operating condition, speed of a cooling fan, types of engine and so forth. Hearing protection may be necessary if an operator is working in the improperly maintained cabin or exposed to a noisy environment by leaving doors and/or windows open. With cooling fan speed at maximum value:

Operator sound pressure level (ISO 6396:2008)	71 dB(A)
Exterior sound power level (ISO 6395:2008)	99 dB(A)

* Distance of 15 m (49.2 ft), moving forward in second gear ratio

ENGINE

Maker / Model	Cummins F3.8	
Type	Tier 4F/ Stage V Emission Certified, 4 cylinder diesel engine with no manual regeneration.	
Rated flywheel horse power SAE	J1995 (gross)	100 kW (134 HP) at 2,200 rpm
	J1349 (net)	98 kW (131 HP) at 2,200 rpm
Max. torque	100 kW (134 hp) at 2,200 rpm	
Peak Torque	550 N·m (406 lb·ft) at 1,500 rpm	
Displacement	3.8 ℓ (229 cu in)	

HYDRAULIC SYSTEM

MAIN PUMP

Type	Variable displacement tandem axis piston pumps
Max. flow	2 x 123.5 ℓ/min (2 x 32.6 U.S. gpm)

AUXILIARY PRESSURE

2 Way	Flow (ℓ/min)	13~69 gpm / (50~260 lpm)
	Pressure (bar)	1,450~5,076 psi / (100~350 bar)
Rotating	Flow (ℓ/min)	11 gpm / (39.9 lpm)
	Pressure (bar)	2,321 psi / (160 bar)

PILOT PUMP

Type	Fixed displacement gear pump single stage
Max. flow	28.5 ℓ/min (7.5 U.S. gpm)

HYDRAULIC MOTORS

Travel	Variable displacement axial piston motor
Swing	Two fixed displacement axial piston motor

RELIEF VALVE SETTING

Implement circuits	350 kgf/cm2 (4,980 psi)
Travel	350 kgf/cm2 (4,980 psi)
Power boost (Boom, Arm, Bucket)	380 kgf/cm2 (5,410 psi)
Swing circuit	280 kgf/cm2 (3,990 psi)
Pilot circuit	40 kgf/cm2 (569 psi)
Service valve	Installed

DRIVES & BRAKES

Drive method	Fully hydrostatic type
Drive motor	Axial piston motor, in-shoe design
Reduction system	Planetary reduction gear
Max. Drawbar pull	12,670 kgf (27,930 lbf)
Max. Travel speed (High / Low)	3.2 km/hr (2.0 mph) / 5.5 km/hr (3.4 mph)
Gradeability	35° (70%)
Parking brake	Multi wet disc

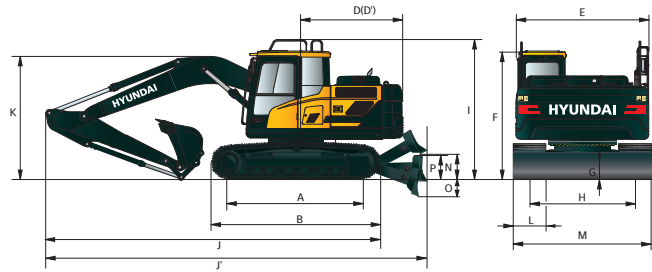
CONTROL

Pilot pressure operated joysticks and pedals with detachable lever provide almost effortless and fatigueless operation.

Pilot control	Two joysticks with one safety lever (LH) : Swing and arm, (RH) : Boom and bucket
Traveling and Steering	Two levers with pedals
Engine throttle	Electric, dial type

SPECIFICATIONS HX140A L

Powered by Cummins Performance Series Engine



HX140A L MONO BOOM DIMENSIONS

Unit: ft-in (mm)

4.60 m (15' 1"), 4.1 m (13' 5") BOOM and 1.90 m (6' 3"), 2.10 m (6' 11"), 2.50 m (8' 2"), 3.00 m (9' 10") ARM

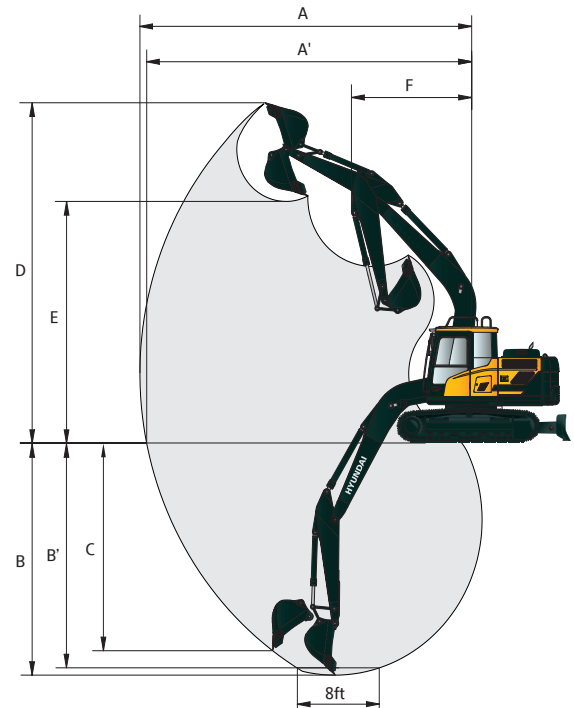
A Tumbler Distance	9' 10"	(3,000)
B Overall Length of Crawler	12' 2"	(3,696)
*C Ground Clearance of Counter Weight	3' 1"	(930)
D Tail Swing Radius	7' 8"	(2,345)
D' Rear-End Length	7' 8"	(2,335)
E Overall Width of Upper Structure	8' 1"	(2,475)
*F Overall Height of Cab	9' 5"	(2,860)
*G Min. Ground Clearance	1' 5"	(430)
H Track gauge	6' 6"	(1,990)
*I Overall Height of Guardrail	10' 2"	(3,110)

Boom Length	4,600 (15' 1")				4,100 (13' 5")	
Arm Length	1,900 (6' 3")	2,100 (6' 11")	2,500 (8' 2")	3,000 (9' 10")	1,900 (6' 3")	2,100 (6' 11")
J Overall Length	7,830 (25' 8")	7,855 (25' 9")	7,830 (25' 8")	7,795 (25' 7")	7,320 (24' 0")	7,355 (24' 2")
J' Overall Length (W/Dozer)	8,165 (26' 9")	8,190 (26' 10")	8,165 (26' 9")	8,130 (26' 8")	7,655 (25' 1")	7,690 (25' 3")
K Overall Height of Boom	2,675 (8' 9")	2,820 (9' 3")	2,800 (9' 2")	3,130 (10' 3")	2,740 (9' 0")	2,895 (9' 6")
L Track Shoe	500 (20")		600 (24")		700 (28")	
M Overall Width	2,490 (8' 2")		2,590 (8' 6")		2,690 (8' 10")	
**N Ground clearance of blade up					580 (1' 11")	
**O Depth of blade down					475 (1' 7")	
**P Height of blade					575 (1' 11")	

HX140A L MONO BOOM WORKING RANGE

Unit: ft-in (mm)

Boom Length	4,600 (15' 1")				4,100 (13' 5")	
	1,900 (6' 3")	2,100 (6' 11")	2,500 (8' 2")	3,000 (9' 10")	1,900 (6' 3")	2,100 (6' 11")
A Max. Digging Reach	7,750 (25' 5")	7,920 (26' 0")	8,320 (27' 4")	8,780 (28' 10")	7,250 (23' 9")	7,420 (24' 4")
A' Max. Digging Reach on Ground	7,590 (24' 11")	7,760 (25' 6")	8,170 (26' 10")	8,640 (28' 4")	7,080 (23' 3")	7,250 (23' 9")
B Max. Digging Depth	4,915 (16' 2")	5,115 (16' 9")	5,515 (18' 1")	6,015 (19' 9")	4,500 (14' 9")	4,700 (15' 5")
B' Max. Digging Depth (8' Level)	4,650 (15' 3")	4,860 (15' 11")	5,300 (17' 5")	5,830 (19' 2")	4,240 (13' 11")	4,450 (14' 7")
C Max. Vertical Wall Digging Depth *	4,470 (14' 8")	4,660 (15' 3")	5,065 (16' 7")	5,570 (18' 3")	4,060 (13' 4")	4,250 (13' 11")
D Max. Digging Height	8,130 (26' 8")	8,200 (26' 11")	8,530 (28' 0")	8,800 (28' 10")	7,730 (25' 4")	7,790 (25' 7")
E Max. Dumping Height	5,690 (18' 8")	5,770 (18' 11")	6,080 (19' 11")	6,350 (20' 10")	5,285 (17' 4")	5,360 (17' 7")
F Min. Swing Radius	2,620 (8' 7")	2,670 (8' 9")	2,650 (8' 8")	2,670 (8' 9")	2,350 (7' 9")	2,460 (8' 1")

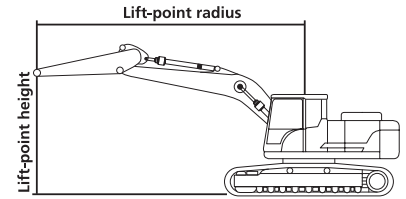


HX140A L MONO BOOM DIGGING FORCE

Boom	Length	mm (ft.in)	4,600 (15' 1") Mono Boom				4,100 (13' 5") Mono Boom		Remark
	Weight	kg (lb)	992 (2,190)				937 (2,060)		
Arm	Length	mm (ft.in)	1,900 (6' 3")	2,100 (6' 11")	2,500 (8' 2")	3,000 (9' 10")	1,900 (6' 3")	2,100 (6' 11")	
	Weight	kg (lb)	591 (1,300)	621 (1,370)	681 (1,500)	716 (1,580)	591 (1,300)	621 (1,370)	
Bucket Digging Force	SAE	kN	88 [95]	88 [95]	88 [95]	88 [95]	88 [95]	88 [95]	[] : Power Boost
		kgf	8,958 [9,730]	8,960 [9,730]	8,960 [9,730]	8,956 [9,720]	8,958 [9,730]	8,958 [9,730]	
		lbf	19,749 [21,451]	19,754 [21,451]	19,754 [21,451]	19,745 [21,429]	19,749 [21,451]	19,754 [21,451]	
	ISO	kN	103 [112]	103 [112]	103 [112]	103 [112]	103 [112]	103 [112]	
		kgf	10,494 [11,390]	10,497 [11,400]	10,497 [11,400]	10,492 [11,390]	10,494 [11,390]	11,497 [11,400]	
		lbf	23,136 [25,111]	23,142 [25,133]	23,142 [25,133]	13,131 [25,111]	23,136 [25,111]	23,142 [25,133]	
Arm Crowd Force	SAE	kN	77 [83]	74 [80]	63 [68]	56 [61]	77 [83]	74 [80]	
		kgf	7,815 [8,490]	7,506 [8,150]	6,396 [6,940]	5,711 [6,200]	7,815 [8,490]	7,506 [8,150]	
		lbf	17,230 [18,717]	16,547 [17,968]	14,100 [15,300]	12,591 [13,669]	17,230 [18,717]	16,547 [17,968]	
	ISO	kN	81 [88]	77 [84]	65 [71]	58 [63]	81 [88]	77 [84]	
		kgf	8,213 [8,920]	7,863 [8,540]	6,665 [7,240]	5,924 [6,430]	8,213 [8,920]	7,863 [8,540]	
		lbf	18,107 [19,665]	17,334 [18,827]	14,694 [15,961]	13,060 [14,176]	18,107 [19,665]	17,334 [18,827]	

SPECIFICATIONS HX140A L

Powered by Cummins Performance Series Engine



Lifting Capacity (Without Dozer)

Boom: 5.1 m (16' 9")

Arm: 2.60 m (8' 6")

Shoe 600 mm (24") triple grouser

CWT 3,250 kg (7,170 lb)

Capacities based on North American Standard Configuration
in accordance with ISO condition 2 standard.

Rating over front

Rating over side or 360 degrees

Lift-point height m (ft)		Lift-point radius										At max. reach		
		1.5 m (4.9 ft)		3.0 m (9.8 ft)		4.5 m (14.8 ft)		6.0 m (19.7 ft)		7.5 m (24.6 ft)		Capacity		Reach m (ft)
7.5 m	kg					*2600	*2600					*2390	*2390	4.59
24.6 ft	lb					*5730	*5730					*5270	*5270	(15.1)
6.0 m	kg							*2240	*2240			*2010	*2010	6.08
19.7 ft	lb							*4940	*4940			*4430	*4430	(20.0)
4.5 m	kg							*3290	2820			*1880	*1880	6.94
14.8 ft	lb							*7250	6220			*4140	*4140	(22.8)
3.0 m	kg			*5260	*5260	*4140	*4140	*3680	2740			*1880	*1880	7.40
9.8 ft	lb			*11600	*11600	*9130	*9130	*8110	6040			*4140	*4140	(24.3)
1.5 m	kg			*8410	7240	*5360	3970	3960	2620	*2130	1880	*1980	1870	7.53
4.9 ft	lb			*18540	15960	*11820	8750	8730	5780	*4700	4140	*4370	4120	(24.7)
Ground Line	kg			*7190	6820	5940	3770	3850	2530			*2190	1900	7.36
	lb			*15850	15040	13100	8310	8490	5580			*4830	4190	(24.1)
-1.5 m	kg	*4380	*4380	*9290	6720	5830	3680	3800	2480			*2610	2080	6.85
-4.9 ft	lb	*9660	*9660	*20480	14820	12850	8110	8380	5470			*5750	4590	(22.5)
-3.0 m	kg	*7550	*7550	*9450	6790	5840	3690					*3560	2560	5.91
-9.8 ft	lb	*16640	*16640	*20830	14970	12870	8140					*7850	5640	(19.4)
-4.5 m	kg			*6970	*6970							*4530	4130	4.29
-14.8 ft	lb			*15370	*15370							*9990	9110	(14.1)

Lifting Capacity (Dozer Down)

Boom: 5.1 m (16' 9")

Arm: 2.60 m (8' 6")

Shoe 600 mm (24") triple grouser

CWT 3,250 kg (7,170 lb)

Capacities based on North American Standard Configuration
in accordance with ISO condition 2 standard.

Rating over front

Rating over side or 360 degrees

Lift-point height m (ft)		Lift-point radius										At max. reach		
		1.5 m (4.9 ft)		3.0 m (9.8 ft)		4.5 m (14.8 ft)		6.0 m (19.7 ft)		7.5 m (24.6 ft)		Capacity		Reach m (ft)
7.5 m	kg					*2600	*2600					*2390	*2390	4.59
24.6 ft	lb					*5730	*5730					*5270	*5270	(15.1)
6.0 m	kg							*2240	*2240			*2010	*2010	6.08
19.7 ft	lb							*4940	*4940			*4430	*4430	(20.0)
4.5 m	kg							*3290	3210			*1880	*1880	6.94
14.8 ft	lb							*7250	7080			*4140	*4140	(22.8)
3.0 m	kg			*5260	*5260	*4140	*4140	*3680	3120			*1880	*1880	7.40
9.8 ft	lb			*11600	*11600	*9130	*9130	*8110	6880			*4140	*4140	(24.3)
1.5 m	kg			*8410	*8410	*5360	4560	*4240	3010	*2130	*2130	*1980	*1980	7.53
4.9 ft	lb			*18540	*18540	*11820	10050	*9350	6640	*4700	*4700	*4370	*4370	(24.7)
Ground Line	kg			*7190	*7190	*6310	4350	*4710	2910			*2190	2190	7.36
	lb			*15850	*15850	*13910	9590	*10380	6420			*4830	4830	(24.1)
-1.5 m	kg	*4380	*4380	*9290	7910	*6680	4260	*4880	2860			*2610	2400	6.85
-4.9 ft	lb	*9660	*9660	*20480	17440	*14730	9390	*10760	6310			*5750	5290	(22.5)
-3.0 m	kg	*7550	*7550	*9450	7970	*6290	4270					*3560	2950	5.91
-9.8 ft	lb	*16640	*16640	*20830	17570	*13870	9410					*7850	6500	(19.4)
-4.5 m	kg			*6970	*6970							*4530	*4530	4.29
-14.8 ft	lb			*15370	*15370							*9990	*9990	(14.1)

NOTES:

1. Lifting capacities are based on ISO 10567.

2. Lifting capacity of the HX Series does not exceed 75% of tipping load with the machine on firm, level ground or 87% of full hydraulic capacity.

3. The Lift-point is the bucket pivot mounting pin on the arm (without bucket mass).

4. (*) indicates load limited by hydraulic capacity.

ENGINE	STD	OPT
Cummins F3.8		
Engine Auto Idle	•	
Engine Auto Shutdown Control	•	
Emergency Engine Stop Switch	•	
HYDRAULIC SYSTEM	STD	OPT
INTELLIGENT POWER CONTROL (IPC) UPGRADE		
3-Power Mode, 2-Work Mode, User Mode	•	
Variable Power Control	•	
Pump Flow Control	•	
Attachment Mode Flow Control	•	
Hyundai Bio Hydraulic oil (HBHO)		•
CAB & INTERIOR STD OPT	STD	OPT
ISO STANDARD CABIN		
Rise-Up Type Windshield Wiper	•	
Radio / USB Player	•	
Handsfree Mobile Phone System with USB	•	
12V Power Outlet (24V DC to 12V DC converter)	•	
Electric Horn	•	
All-Weather Steel Cab with 360° Visibility	•	
Safety glass - Tempered glass	•	
Safety glass - Tempered glass with front laminated glass		•
Sliding Fold-In Front Window	•	
Sliding Side Window (LH)	•	
Lockable Door	•	
Hot & Cool Box	•	
Storage Compartment	•	
Transparent Cabin Roof-Cover	•	
Sun Visor	•	
Door And Cab Locks, One Key	•	
Pilot-Operated Slidable Joystick	•	
Adjustable L & R Consoles	•	
AUTOMATIC CLIMATE CONTROL		
Air Conditioner & Heater	•	
Defroster	•	
Starting Aid (Air Grid Heater) for Cold Weather	•	
CENTRALIZED MONITORING		
8" LCD Display	•	
Engine Speed or Trip Meter / Accel.	•	
Engine Coolant Temperature Gauge	•	
Max Power	•	
Low Speed / High Speed	•	
Auto Idle	•	
Overload warning with alarm		•
Check Engine	•	
Air Cleaner Clogging	•	
Indicators	•	
ECO Gauges	•	
Fuel Level Gauge	•	
Hyd. Oil Temperature Gauge	•	
Fuel Warmer	•	
Warnings	•	
Communication Error	•	
Low Battery	•	
Clock	•	
Cabin Lights	•	
Cabin Front Window Rain Guard		•
Cabin Roof-Steel Cover		•
SEAT		
Adjustable Air Suspension Seat With Heater	•	
CABIN FOG (ISO 10262) LEVEL 2		
FOG (Falling Object Protective Structure)-ISO 10262 Level 2		•
CABIN ROPS		
ROPS (Roll Over Protective Structures)-ISO 12117-2	•	

SAFETY	STD	OPT
Lifting Mode	•	
Auto Safety Lock	•	
Seatbelt Warning Alarm	•	
Battery Master Switch	•	
Rear View Camera	•	
Rear & Mirror View Camera		•
AAVM (Advanced Around View Monitoring)		•
Four Front Working Lights (2 Boom Mounted, 2 Front Frame Mounted)	•	
Travel Alarm	•	
Rear Work Lamp		•
Beacon Lamp		•
Automatic Swing Brake	•	
Boom Holding System	•	
Arm Holding System	•	
Safety Lock Valve For Boom Cylinder With Overload Warning Device		•
Safety Lock Valve For Arm Cylinder		•
Swing Lock System		•
Three Outside Rearview Mirrors	•	
Front Guard - Wire Net		•
Guardrail - Boxing Ring		•
ATTACHMENT	STD	OPT
Booms		
4.1 m, 13' 5" Mono		•
4.6 m, 15' 1" Mono	•	
4.9 m, 16' 1" 2-Piece		•
Arms		
1.9 m, 6' 3"		•
2.1 m, 6' 11"		•
2.5 m, 8' 2"		•
3.0 m, 9' 10"	•	
OTHER	STD	OPT
Fuel Pre-Filter	•	
Fuel Warmer	•	
Pre-Cleaner	•	
Self-Diagnostics System	•	
Hi MATE (Remote Management System)	•	
Batteries (2 x 12 V x 72 AH)	•	
Fuel Filler Pump (35 lpm)		•
2-Way auxiliary w Proportional control		•
Rotating Piping Kit		•
Quick Coupler	•	
One Pedal Straight Travel System		•
Accumulator For Lowering Work Equipment	•	
Pattern Change Valve (2 Patterns)	•	
Fine (Cushion/Free) Swing Control		•
Tool Kit		•
UNDERCARRIAGE	STD	OPT
Lower Frame Under Cover	•	
Track Shoes		
Triple Grousers Shoes (500 mm, 20")		•
Triple Grousers Shoes (600 mm, 24")	•	
Triple Grousers Shoe (700 mm, 28")		•
Triple Grousers Shoe (900 mm, 36") - H/W Mud Application		•
Track Guard	•	
Full Track Guard - H/W		•

* Standard and optional equipment may vary. Contact your Hyundai dealer for more information. The machine may vary according to international standards.
 * The photos may include attachments and optional equipment that are not available in your area.
 * Materials and specifications are subject to change without advance notice.
 * All imperial measurements rounded off to the nearest pound or inch.



6100 Atlantic Blvd., Norcross, GA 30071
 TEL (678) 823-7777 FAX (678) 823-7778



Printed in U.S.A.



HX140A L 8/2023 PS v1